

Fireplace Draftstopper Installation Instructions

A recent scientific study discovered that 30% of your heat can leak out of an open unlit fireplace!



The Fireplace Draftstopper comes in 2 sizes - **large** to fit any masonry fireplace, or **small** to fit any zero-clearance fireplace. The Draftstopper is designed to seal the fireplace & reduce heat loss, downdrafts, toxins, odors & noise.

EASY 3 STEP INSTALLATION



1

Check the walls of the firebox to be sure there are no metal protrusions or rough masonry surfaces that could damage the DraftStopper.



2

Place the tip of the DraftStopper tee onto the floor of your firebox and extend until it reaches 1" below the damper. Look in to ensure proper length.



stops air drafts saving you energy \$\$\$!
reflective shield installs in minutes!
THE ATTIC DOOR COVER THAT PUTS THE LID ON AIR LEAKS

R-50 ATTIC STAIR COVERS and WHOLE HOUSE FAN COVERS



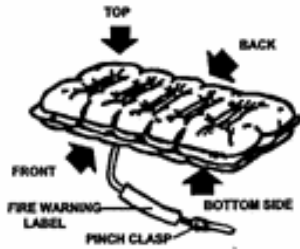
3

Place your DraftStopper onto the tee and partially inflate. Place it into position below the damper, and complete inflation.

If your DraftStopper is too small on the ends (0.5% will be), fill the gap with foam rubber for a better seal.

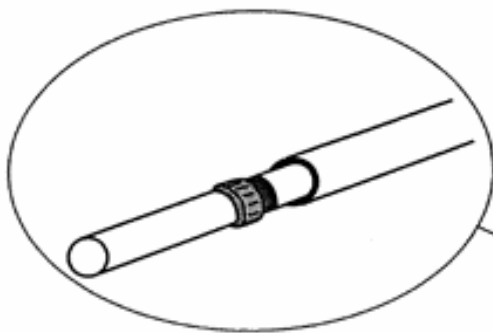


Davic DraftStopper™

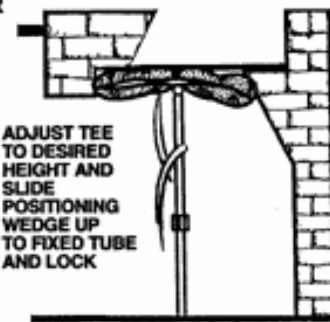
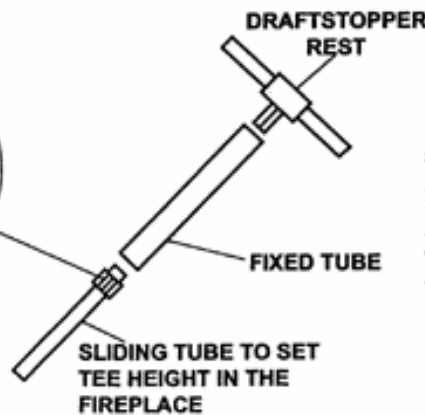


Davic DraftStopper™ TEE

The Tee device is used to provide a quick and clean installation of the Draftstopper. Because the firebox heights vary, the Tee is adjustable and has a locking positioning wedge to allow the Tee to fit your firebox. If the Tee is too long for your firebox, cut the sliding tube with a saw to desirable height.



LOCKING POSITIONING WEDGE



DRAFTSTOPPER INSTALLED



stops air drafts saving you energy \$\$\$!
reflective shield installs in minutes!

THE ATTIC DOOR COVER THAT PUTS THE LID ON AIR LEAKS

R-50 ATTIC STAIR COVERS and WHOLE HOUSE FAN COVERS